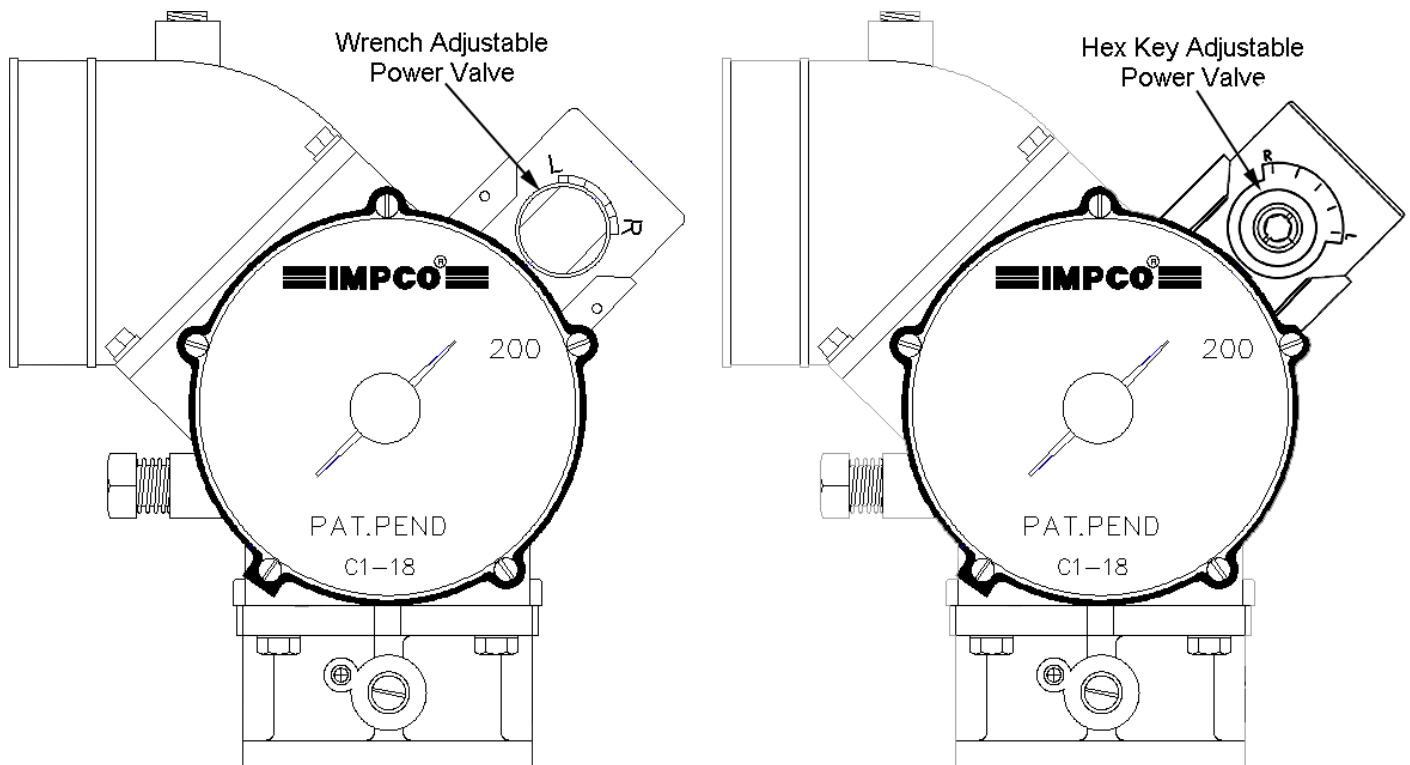


### 200D/200T Power Valve Change

This TSB introduces a new Power Valve design for the 200D and 200T Carburetors/Mixers. The original Power Valve was adjusted by a wrench and accessible on one side of the carburetor/mixer only. The newly designed valve can be turned with an imperial 5/16" or metric 8mm hex key from *both* sides, eliminating the need for left and right variations of the 200D/T Carburetors/Mixers. The new design is also compatible with a tamper resistant cap to comply with tamper resistant emission regulations.



**Model 200D Carburetor shown with both Power Valve Styles**

The Power Valve is an integral component of the mixer body and is not a serviceable part. The new design is planned for release as early as the end of 2008.