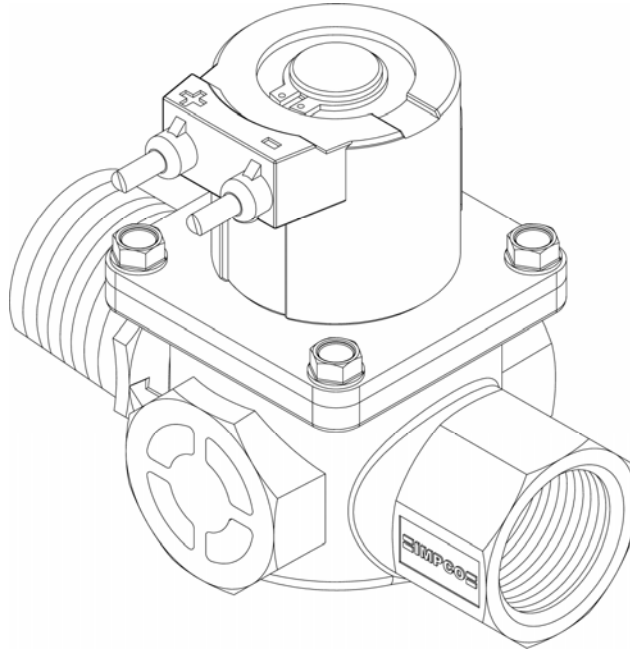


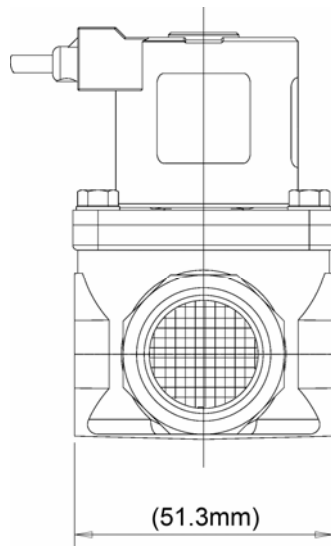
New FL-50046-007 Shut-Off/Lockoff Valve

Shut-Off Valve, P/N FL-50046-007, is now available for low pressure Natural Gas and LPG Vapor applications. Similar to P/N FL-50046-002, the new part provides an in-line (straight-through) flow with a $\frac{3}{4}$ " NPT female inlet and a $\frac{3}{4}$ " NPT male outlet. P/N FL-50046-007 does not have a protruding side mount or boss, making it ideal for applications where interference may exist due to limited space.

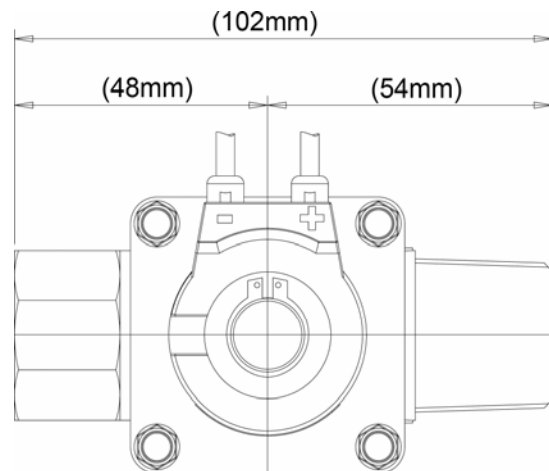


P/N FL-50046-007, Shut-Off Valve

END VIEW



TOP VIEW



Straight-Through
 $\frac{3}{4}$ " Female Inlet $\frac{3}{4}$ " Male Outlet