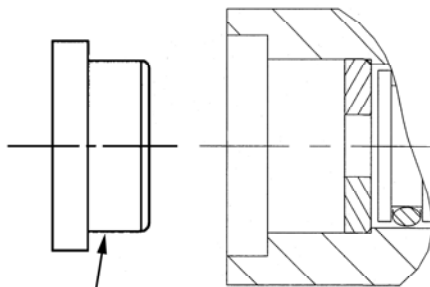
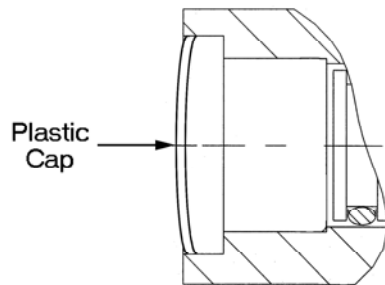


Tamper Resistant Plug Change For Model 425 Mixers

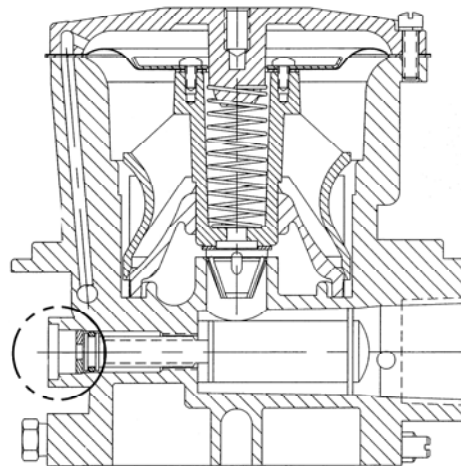
A change has been made to all tamper resistant (“FT” or “CT”) model 425 mixers. The optional plastic cap (part number P3-30164-003) used to cover the idle adjustment screw, has been discontinued. A new plug (part number P3-51519-001) is available separately to comply with tamper resistance requirements.

Early Design (Discontinued)



P/N P3-51519-001

Later Design (New)



A 425 Mixer, showing the original plastic cap covering the idle adjustment screw in the early design (enlarged, top left) and the new plug used in the later design (enlarged, bottom left).

Early Design		Later Design	
Description	Part Number	Description	Part Number
Plug, Black CARB	P3-30164-003	Plug, Tamperproof, 425	P3-51519-001