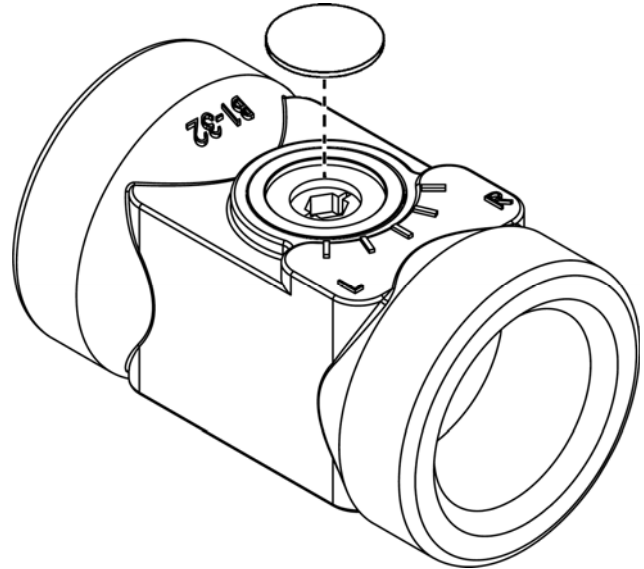
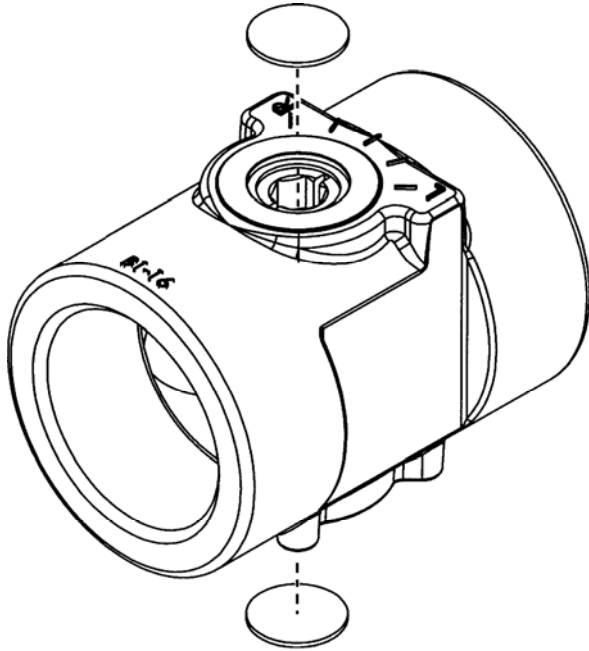


In Line Power Valve Part Changes

A design change has been made to the In Line Power Valves, AB1-16 and AB1-32. Both parts have been upgraded with internal O-ring seals for an increased pressure rating up to 30 psig and are available with tamper proof plugs for compliance with tamper resistant applications.



AB1-16 Shown with Tamper Resistant Plugs AB1-32 Shown with Tamper Resistant Plug

The Power Valve flow characteristics remain the same. The AB1-16 valve is now adjusted using a 5/16" or 8mm hex key from either the top or bottom of the valve. The AB1-32 valve is adjusted using a 6mm hex key from the top. Both valves are available with or without the tamper resistant plug. Refer to the following table for features, plugs and part number ordering information:

Description	Part Number	Inlet & Outlet Ports	Replacement Tamper Resistant Plugs	Qty of Plugs Included
In Line Power Valve	AB1-16	1 1¼" Female NPT	P3-17956-20	0
In Line Power Valve, Tamper Resistant	AB1-16-2			2
In Line Power Valve	AB1-32	1" Female NPT		0
In Line Power Valve, Tamper Resistant	AB1-32-2			1