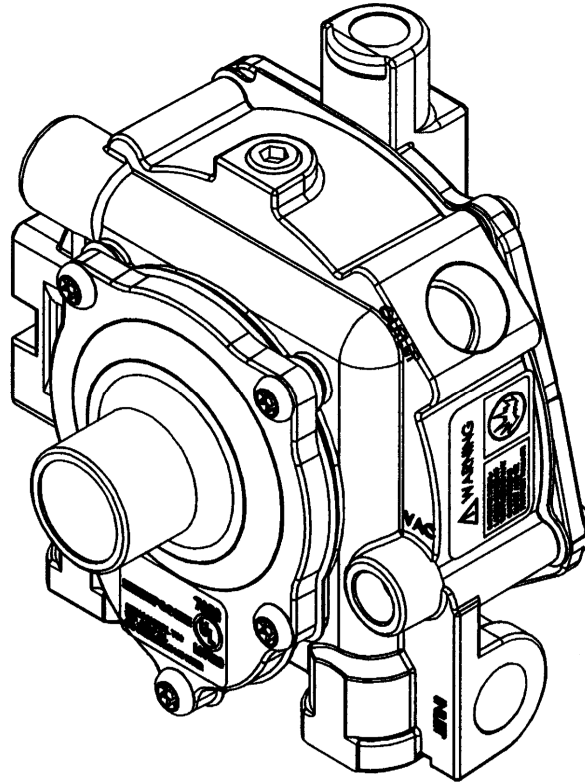


### Model T-60 Regulator Changes

The Model T-60 Regulator will undergo several design changes in the Spring of 2010:

- All models will include a freeze plug and idle screw.
- The idle adjustment will be relocated to the cover with improved sensitivity and stability. The idle screw cap and tamper resistant screws satisfy regulatory tamper resistance requirements.
- The primary lever and seat design will have improved primary sealing.
- Secondary lever will feature a self-centering seat design eliminating the need to adjust after rebuilding.
- All mounting features and ports will remain the same. Additional dual Mounting tabs will be available as an option.
- Weight increases from 680g (24 ozs.) to up to 826g (29 ozs.).

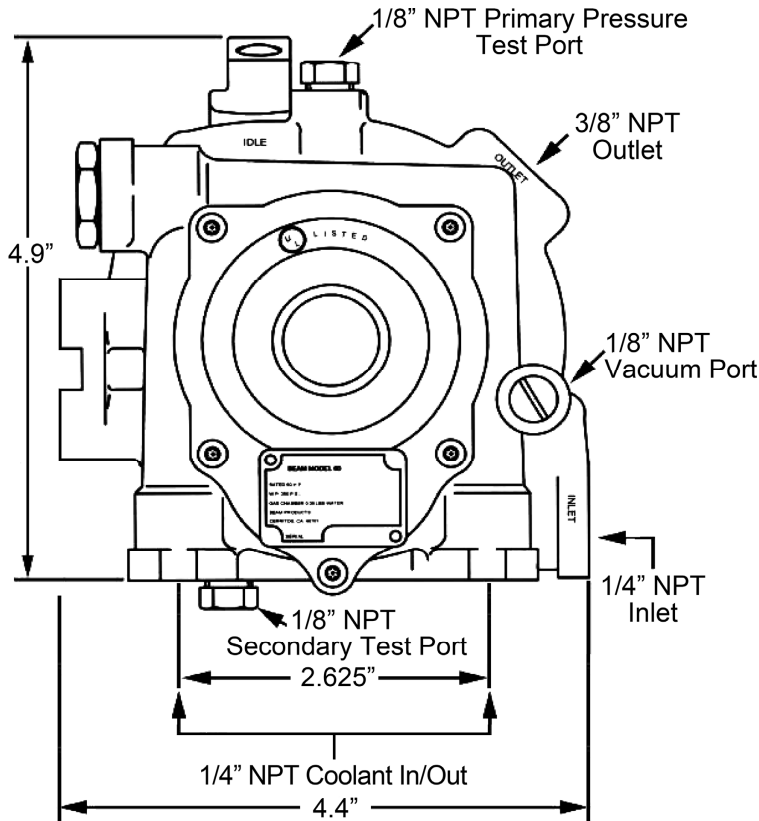
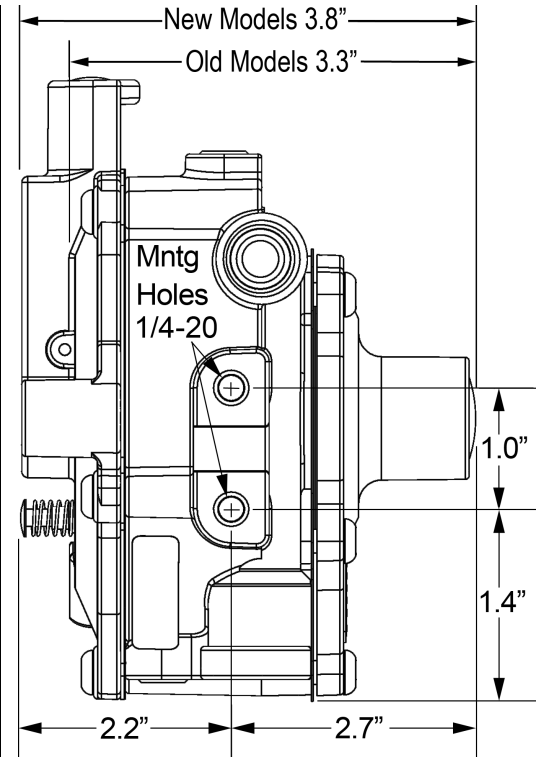


**All Model T60 part numbers will change.** The current T60 Regulators and Repair Kits will continue to be manufactured in early 2010 and made available until inventory is depleted. The external dimensions have changed (see next page), however, all other performance specifications remain the same. T60 Repair Kits will be changed to accommodate the current and new T60 regulators.

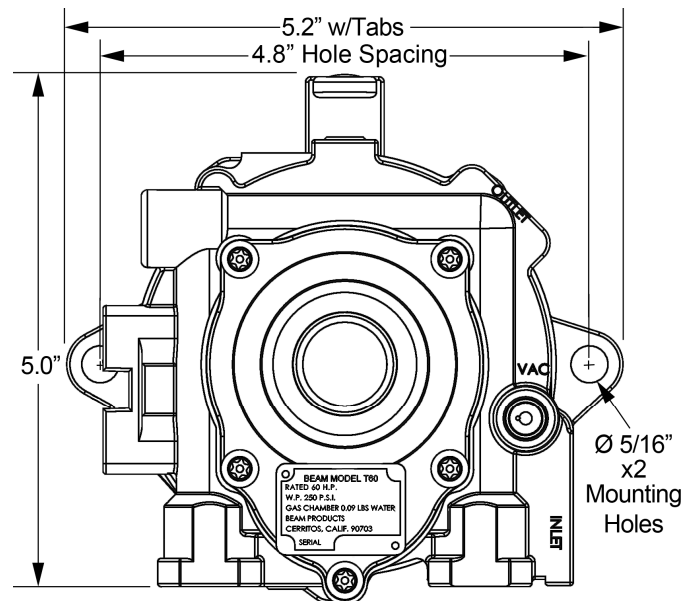
Most dimensions have negligible changes or remain the same; however, **the depth may increase approximately 0.5" for certain part numbers.** Review the dimensions (listed on the next page) for a direct comparison between the current and new regulators prior to installation.

## Model T60 Regulators

Current Part Number	Additional 1/2" depth	New Part Number	Mounting Tabs	Primer	Vacuum Lock
T60-N-2		T60-A-NN-2	•		
T60-S-2					
T60-E	•	T60-A-NN-N			
T60-F-N					
T60-N-N					
T60-D	•				
-		T60-A-NP-2	•	•	
T60-G	•	T60-A-NP-N		•	
T60-C	•				
T60-P-N					
T60-VF-2		T60-A-VN-2	•		•
T60	•	T60-A-VN-N			•
T60-H	•				
T60-VF-N					
T60-V-N					
-		T60-A-VP-2	•	•	•
T60-B	•	T60-A-VP-N		•	•
T60-VP-N					



**Old Model Dimensions (without tabs)**



**New Model Dimensions (with optional tabs shown). All dimensions remain the same as the old model unless otherwise noted.**

