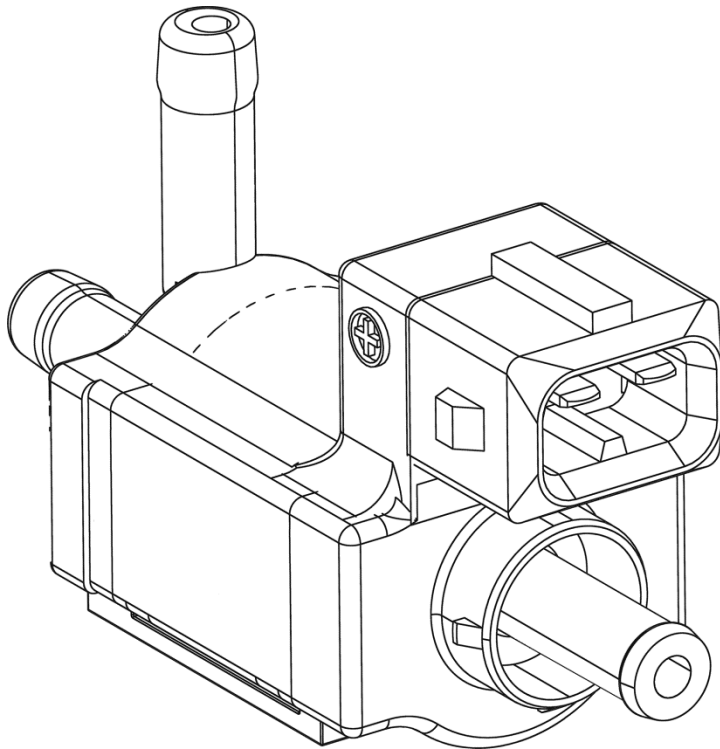
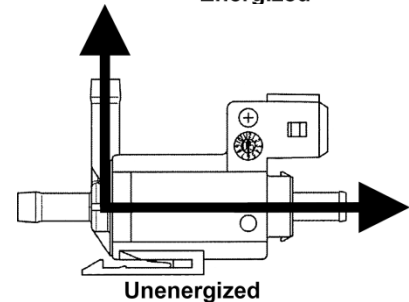
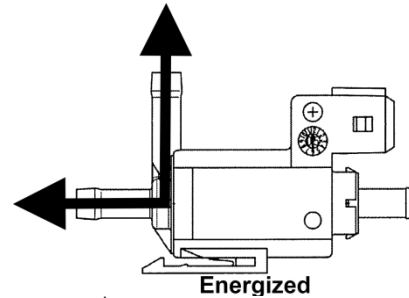


### VCS Valve Replacement

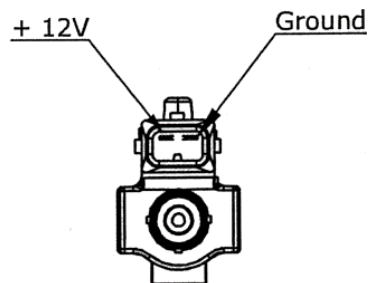
Effective immediately, the Vacuum Control Solenoid Valve (IMPCO P/N VCS) is no longer available. A kit, P/N HK-54702-001 includes a new valve, P/N FCV-54700-001 and the hardware necessary to replace the VCS. The specifications for the new valve are shown below:



Fuel Control Valve P/N FCV-54700-001



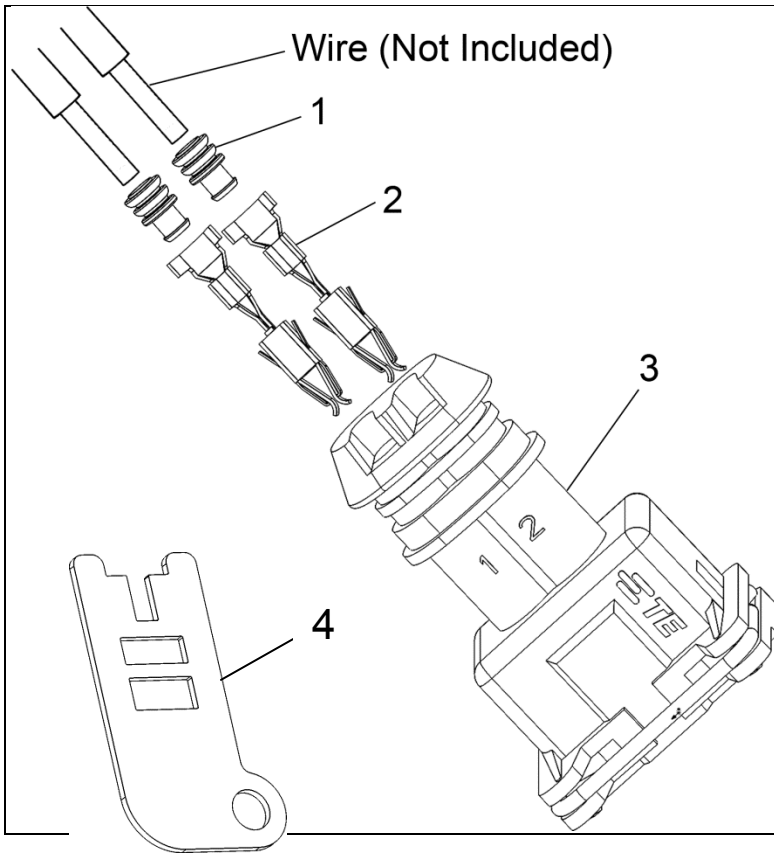
Flow when energized and unenergized



End view, showing the polarity of the connector pins

#### SPECIFICATIONS

- Voltage: ..... 12V Nominal; Range: 10.8-16V
- Resistance:..... 23.0 +/-1. 2Ω
- Current: ..... ≤0.72A @ 12V, -40°C/F 100% duty cycle
- Operating Temperature: ..... -22° to 266°F (-30° to 130°C)
- Vibration Resistance:..... Max 6g @ 20-350Hz
- Pressure Maximum..... 4.3 psi (30 kPa)  
(Rated on vertical Hose Nipple only)
- Hose Nipple Diameter (all three) ... 6.0mm



Item	Description	Part Number	Qty
1	Seal, Tyco 0.75 Blue	828904-1	2
2	Terminal, JPT 0.5-1 Tyco	929939-1	2
3	Connector, Tyco Jr.	282189-1	1
4	Bracket, FCV	B4-54701-001	1

#### Connector Assembly

- Slide the seals (1) over the wires.
- Crimp the terminals (2) over the wires.
- Insert terminals (2) into the connector (3) and verify they are properly clipped in.  
**NOTE:** The positive wire goes into the connector side 2 and the negative to the side labeled 1.
- Slide the seals (1) down into the connector (3) cavities.

A mounting bracket (4) is included to provide a secure mounting point for the valve. Slide the tab at the bottom of the on the bracket, then bolt the bracket to a secure location.

Once mounted, connect the electrical connector and vacuum hoses; the new valve can be placed into service.

#### HK-54702-001

Item	Description	Part Number	Qty
1	Seal, Tyco 0.75 Blue	828904-1	2
2	Terminal, JPT 0.5-1 Tyco	929939-1	2
3	Connector, Tyco Jr.	282189-1	1
4	Bracket, FCV	B4-54701-001	1
5	Fuel Control Valve	FCV-54700-001	1

Two kits are available for the FCV-54700-001:

- HK-54702-001 includes the valve, bracket and connector components.
- HK-54710-001 consists of the connector components only.

#### HK-54710-001

Item	Description	Part Number	Qty
1	Seal, Tyco 0.75 Blue	828904-1	2
2	Terminal, JPT 0.5-1 Tyco	929939-1	2
3	Connector, Tyco Jr.	282189-1	1

The valve P/N FCV-54700-001 is also available separately.

