

GS2 Series injector

LNG / CNG FUEL INJECTOR
POWERING PRODUCTIVITY THROUGHOUT THE WORLD

Key Features

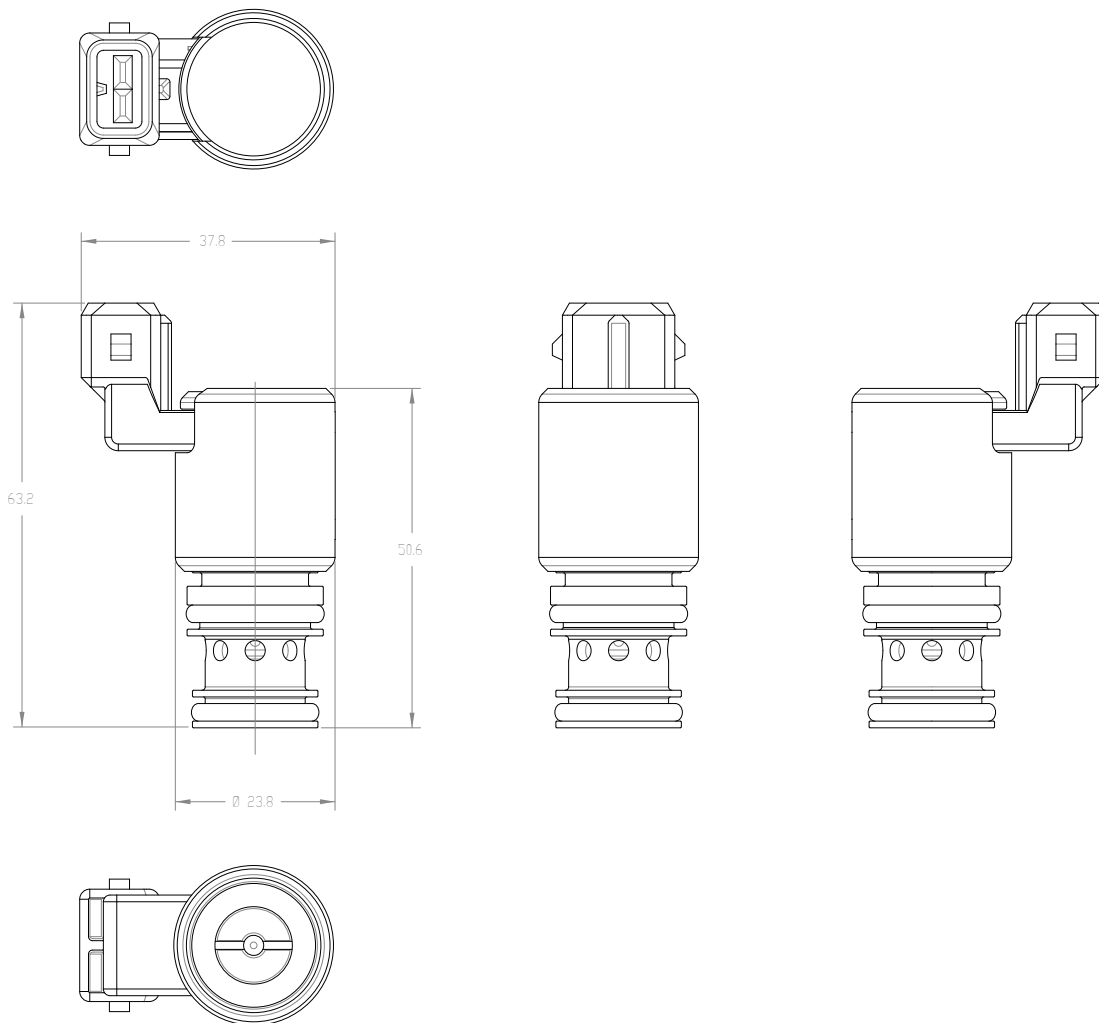
- Cost effective - High flow CNG injector can replace multiple competitive injectors.
- Compatible for use with gaseous hydrocarbon fuels derived from CNG and LNG.
- Suitable for both port and throttle body injection configurations.
- Compatible with 12VDC and 24VDC systems.
- Injector response time less than 2 ms with 8:2 Amp peak and hold driver.
- Cartridge style design allows for easy drop-in installation.
- Side feed - bottom discharge allows for simpler port design, and greater tolerance to gas contamination.
- High performance OEM quality.
- Certified to ECE R110, R10 and ISO 15500.



SPECIFICATIONS

GS2 Series injector

| GENERAL INFORMATION | |
|----------------------|--|
| APPLICATION | Fuel Injection Systems, Heavy Duty, TBI, MPI |
| DESIGN | Bottom Feed Injector |
| BODY MATERIAL | Stainless Steel |
| FUEL TYPE | Natural Gas |
| PERFORMANCE | |
| MAX WORKING PRESSURE | 800 kPa abs |
| FLOW RATE | 5 g/s NG @ 600 kPa abs |
| WORKING TEMPERATURE | -40°C to 120°C (-40°F to 248°F) |
| DURABILITY | 600 million cycle |
| DRIVER TYPE | 8:2A Peak & Hold |
| COIL RESISTANCE | 0.65 Ohm |
| CONNECTOR | AMP Junior Power Timer |
| LEAKAGE | <0.25 cc/min |
| APPROVALS | |
| CERTIFICATIONS | ECE R110, R10, ISO 15500 |



ISO/TS 16949:2009 registered¹
 ISO 9001:2008 registered²
 ISO 14001:2004 registered³

©IMPCO Technologies Inc. All rights reserved.
 All information is subject to change without notice.
 Images for illustration purposes only, may not reflect configuration provided.

1. IMPCO Technologies Inc. Canada
 2. IMPCO Technologies Inc., Santa Ana California - IMPCO Technologies Inc. Canada - IMPCO Technologies BV Europe
 3. IMPCO Technologies Inc., Santa Ana California - IMPCO Technologies BV Europe