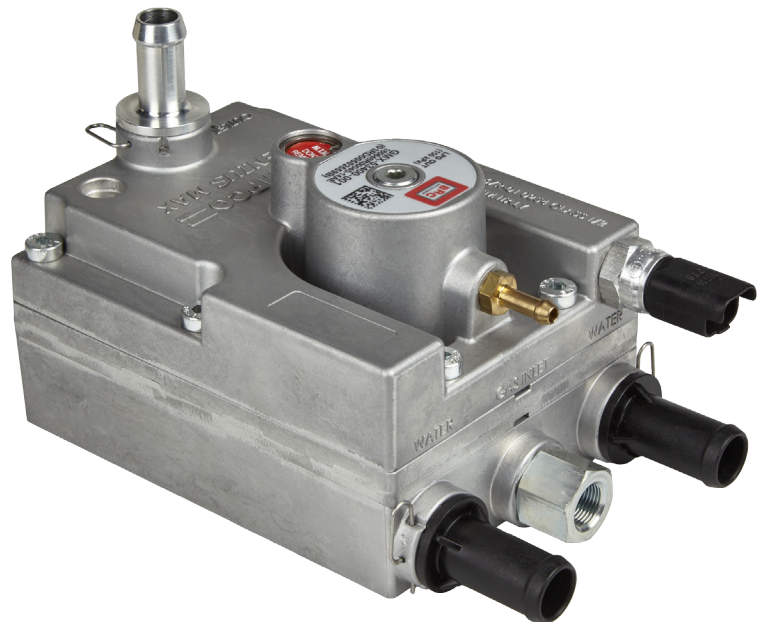


GENIUS MAX

COMPACT HIGH PERFORMANCE SINGLE STAGE LPG REGULATOR
POWERING PRODUCTIVITY THROUGHOUT THE WORLD

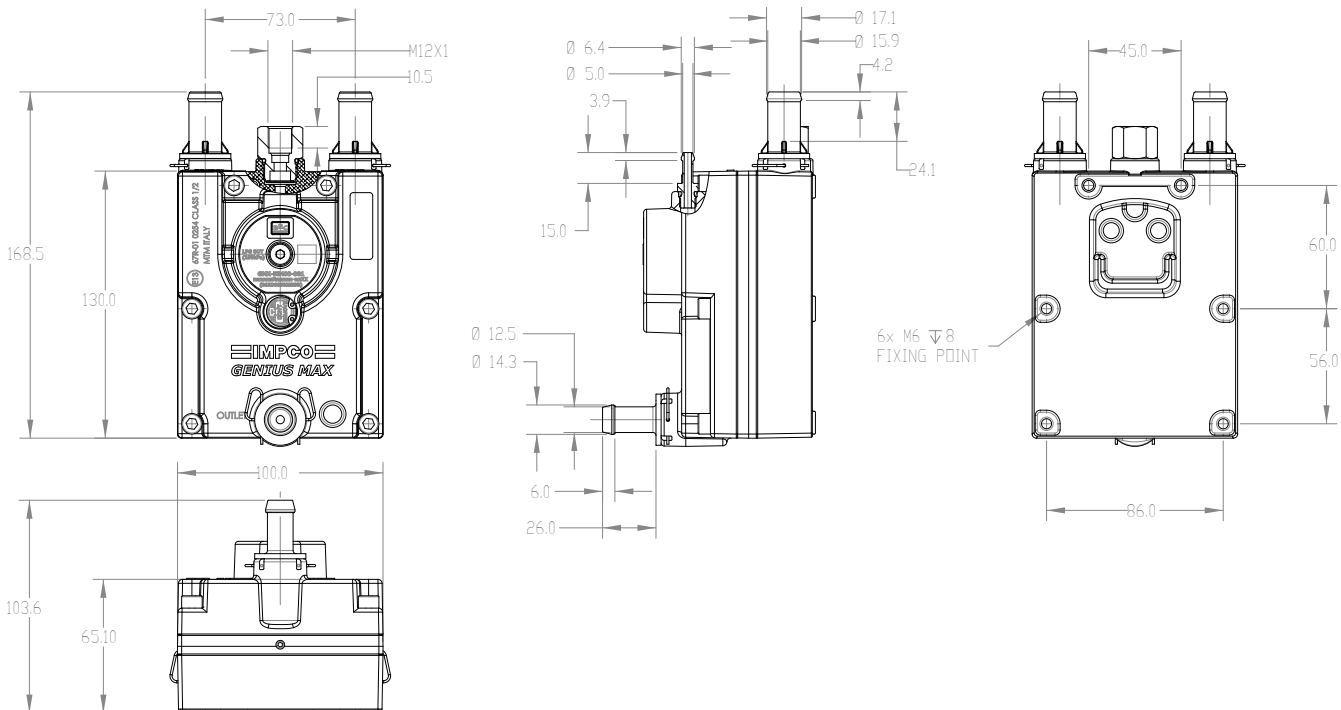
Key Features

- Designed for easier packaging and installation.
- Can be mounted underhood or under vehicle.
- Robust design inside and out for the most demanding environments.
- Integrated inlet filtration, tolerant to particles 200 µm and larger.
- Integrated heating circuit to prevent freeze up.
- Outlet pressure up to 200 kPa.
- Capable to support engines up to 200 kW/268 HP.
- Incorporates integrated safety relief valve.
- Certified to ECE R67.



SPECIFICATIONS

GENIUS MAX	
GENERAL INFORMATION	
MOUNTING	Underhood and chassis installations acceptable
DESIGN	Single Stage diaphragm style regulator
BODY MATERIAL	Aluminum die casting
FUEL TYPE	LPG
PERFORMANCE	
TEMPERATURE RANGE	Operating: -20°C to 120°C (-4°F to 248°F) Storage: -40°C to 120°C (-40°F to 248°F)
NUMBER OF STAGES	Single (one)
PRESSURE RANGES	Nominal operating: 150 kPa (22 psi) over manifold pressure Working: 450 kPa (65 psi)
BURST PRESSURE	Inlet: >10.2 MPa (1,479 psi) Outlet: >1.0 MPa (145 psi)
RELIEVE VALVE SETTING	400 kPa (58 psi)
CLASSIFICATION PRESSURE	450 kPa (Class ½) (65 psi)
COOLANT TEMPERATURE SENSOR	Optional with the addition of P/N DE802051
TEMPERATURE RANGE	-40°C to 125°C (-40°F to 257°F)
SENSOR TYPE	NTC
CONNECTOR	Sicma 211PC022S0049 2 way
HEAT EXCHANGE MEDIUM	Water / Glycol
WORKING PRESSURE	200 kPa (30 psi)
FILTRATION	Integrated inlet screen filter
MASS	1.8 kg (4 lbs)
MAX KW/HP	200 kW / 270 HP
CORROSION / HUMIDITY	144 hours salt spray
VIBRATION	5 g sinusoidal 10-250 Hz
APPROVALS	
CERTIFICATIONS	R67-010254, AGA



ISO/TS 16949:2009 registered¹
ISO 9001:2008 registered²
ISO 14001:2004 registered³

©IMPCO Technologies Inc. All rights reserved.
All information is subject to change without notice.
Images for illustration purposes only, may not reflect configuration provided.

1. IMPCO Technologies Inc. Canada
2. IMPCO Technologies Inc. Santa Ana California - IMPCO Technologies Inc. Canada - IMPCO Technologies BV Europe
3. IMPCO Technologies Inc. Santa Ana California - IMPCO Technologies BV Europe

300025_REV B