

Isolation valve

350 BAR SOLENOID ISOLATION VALVE

Key Features

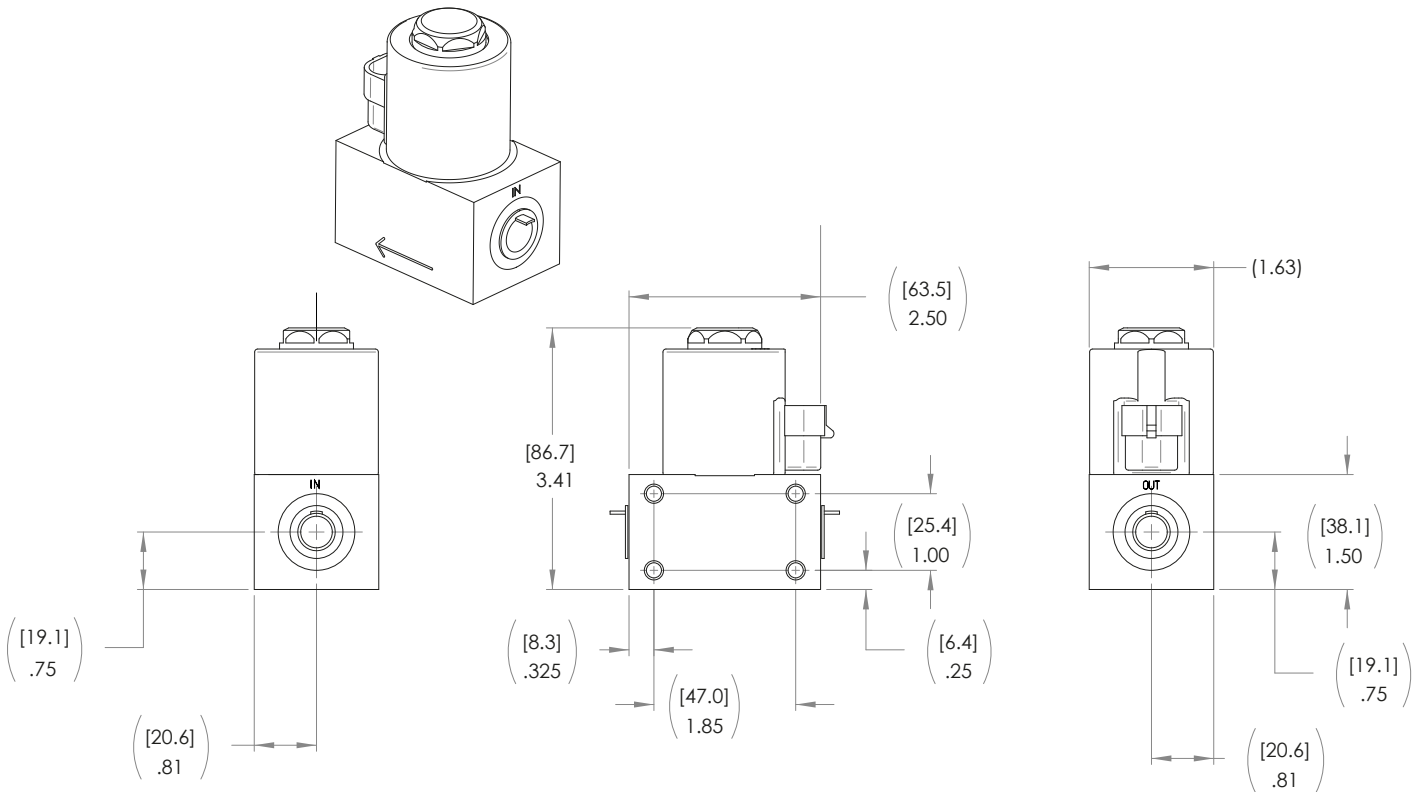
GFI 350 Bar (5,000 psi) Isolation valve for high pressure gas applications (CNG, Hydrogen, etc...) uses established solenoid technology carried over from our high pressure regulator to providing excellent performance along with field renowned reliability. Every valve is 100% functional tested and helium leak checked with individual serial numbers for complete traceability. Valve body includes 4 mounting holes for easy system integration along with standard 9/16 SAE inlet/outlet allowing for flexible in fitting selections.

- Operatin pressure up to 350 Bar (5,000 psi).
- Available in both 12 and 24 Volt coils.
- Fast response time.
- High flow rate with low pressure drop.
- Proven Solenoid design.



SPECIFICATIONS

Isolation valve			
GENERAL INFORMATION			
APPLICATION	Inline High pressure isolation valve		
BODY MATERIAL	Machined Aluminum, anodized MIL-A-8625		
FUEL TYPE	High Pressure Compressed Natural Gas, Hydrogen		
PERFORMANCE			
RESPONSE TIME	400 ms		
BURS PRESSURE	>2.5 x working pressure		
OPERATING	35 MPa (5,000 psig)		
WORKING TEMPERATURE	-40°C to 120°C (-40°F to 248°F)		
CORROSION/HUMIDI	500 hrs salt spray B, 100 day cyclic corrosion		
VIBRATION	As required by ISO, ECE, etc, plus various automotive OEM standards		
ELECTRICAL	Coil model	12 V	24 V
	Minimum opening voltage	7 V	14 V
	Nominal voltage	14 V	28 V
	Max voltage (constant)	18 V	32 V
	Nominal current draw	0.83 Amps	0.54 Amps
	Connector 12/24 V	AMP Super Seal	
LEAKAGE	<10 ⁻⁴ mBar l/s Helium, external (<10 ⁻³ mBar l/s Helium, internal)		
APPROVALS			
CERTIFICATIONS	NGV 3.1, ECE R110, ISO 15500 (pending)		
QUALITY	Standard APQP protocol applicable. PPAP documentation to meet customer request.		



ISO/TS 16949:2009 registered¹
 ISO 9001:2008 registered²
 ISO 14001:2004 registered³

©IMPCO Technologies Inc. All rights reserved.
 All information is subject to change without notice.
 Images for illustration purposes only, may not reflect configuration provided.

1. IMPCO Technologies Inc. - Canada
 2. IMPCO Technologies Inc. - Santa Ana California - IMPCO Technologies Inc. - Canada - IMPCO Technologies BV Europe
 3. IMPCO Technologies Inc. - Santa Ana California - IMPCO Technologies BV Europe

300033_REV A