

# P-200 Series

## HIGH PERFORMANCE OEM QUALITY CNG PRESSURE REGULATOR

### Key Features

Designed for compressed natural gas applications up to 25Mpa (3,600 psi), the P200 Series Regulator delivers stable outlet pressures under varying engine demand and inlet pressures. The regulator is available in two models: the standard high flow version in addition to a lower flow/lower cost version, both of which are ideal for fuel injection and feature an optional manifold reference pressure barb for naturally aspirated or turbo-charged applications.

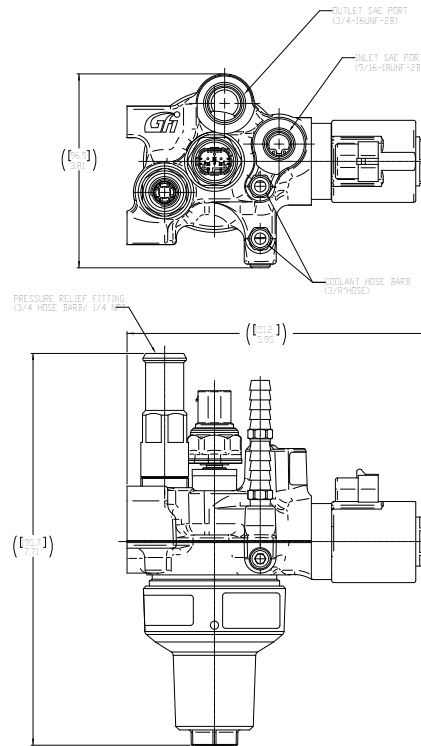
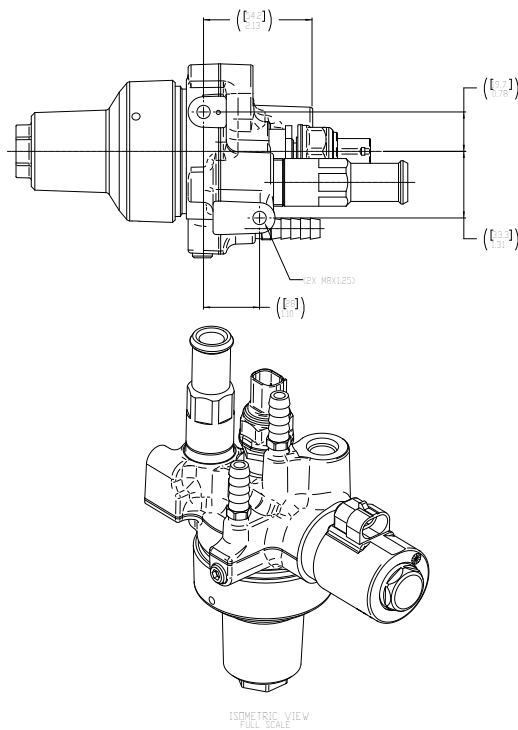
- Balance design for stable outlet pressure at all tank pressures.
- Integrated high pressure lock off.
- Built-in pressure sensor.
- Heavy duty design validated to over 1.8 million cycles.
- Built-in high flow pressure relief.
- Wide range of factory set output pressures available.
- Certified to NGV 3.1, ECE R110 and ISO 15500 standards.



# SPECIFICATIONS

## PRD-200 Series

GENERAL INFORMATION			
APPLICATION	CNG high pressure regulator for mono-fuel applications		
DESIGN	Balanced single stage, pintle and diaphragm type		
BODY MATERIAL	Forged Aluminum		
FUEL TYPE	High Pressure Natural Gas (Validated with G20 and G25 CNG)		
PERFORMANCE			
MAX SERVICE PRESSURE	25 MPa (3,600 psig)		
REGULATED FLOW RATE	Up to 30 g/s		
OUTLET PRESSURE	Factory adjustable: 200 to 1,000 kPa (29 to 145 psig)		
WORKING TEMPERATURE	-40°C to 120°C (-40°F to 248°F)		
PRESSURE RELIEF VALVE	Multiple settings available between 1,100 and 1,800 kPa (160 to 260 psig)		
FILTER (REPLACEABLE)	40 µm, 99% efficiency		
PRESSURE SENSOR	0-250 Bar (Bosch, Sensata)		
LIQUID HEATING	Yes		
COOLANT TEMPERATURE SENSOR	Optional		
SOLENOID	Voltage	12 V	24 V
	Current draw	0.83 A	0.54 A
	Control	Saturated	
LEAKAGE	<math>10^{-4}</math> mBar l/s Helium, external (<math>10^{-3}</math> mBar l/s Helium, internal)		
CONNECTIONS			
INLET THREAD TYPE	9/16" - 18 UNF		
OUTLET THREAD TYPE	3/4" - 16 UNF		
ELECTRICAL CONNECTOR (solenoid)	AMP Super Seal		
ELECTRICAL CONNECTOR (temperature)	Delphi 90 Degree Metri-Pack 150 Series		
APPROVALS			
CERTIFICATIONS	NGV 3.1, ECE R110, ISO 15500		



ISO/TS 16949:2009 registered<sup>1</sup>  
 ISO 9001:2008 registered<sup>2</sup>  
 ISO 14001:2004 registered<sup>3</sup>

1. IMPCO Technologies Inc. Canada  
 2. IMPCO Technologies Inc. Santa Ana California - IMPCO Technologies Inc. Canada - IMPCO Technologies BV Europe  
 3. IMPCO Technologies Inc. Santa Ana California - IMPCO Technologies Inc. Canada - IMPCO Technologies BV Europe  
 300022\_REV A  
 ©IMPCO Technologies Inc. All rights reserved.  
 All information is subject to change without notice.  
 Images for illustration purposes only, may not reflect configuration provided.