

# PRD-4L

## HIGH PERFORMANCE INLINE PRESSURE RELIEF DEVICES

### Key Features

IMPCO's line of GFI pressure relief devices are designed for maximum heat transfer and fast activation performance reliability. The high flow discharge design provides the security of knowing that in the unlikely event that it is required to activate, it will ensure that the safety of the CNG/CHG system remains intact.

Offered with a wide range of options, these devices can be configured to meet the requirements of your application.

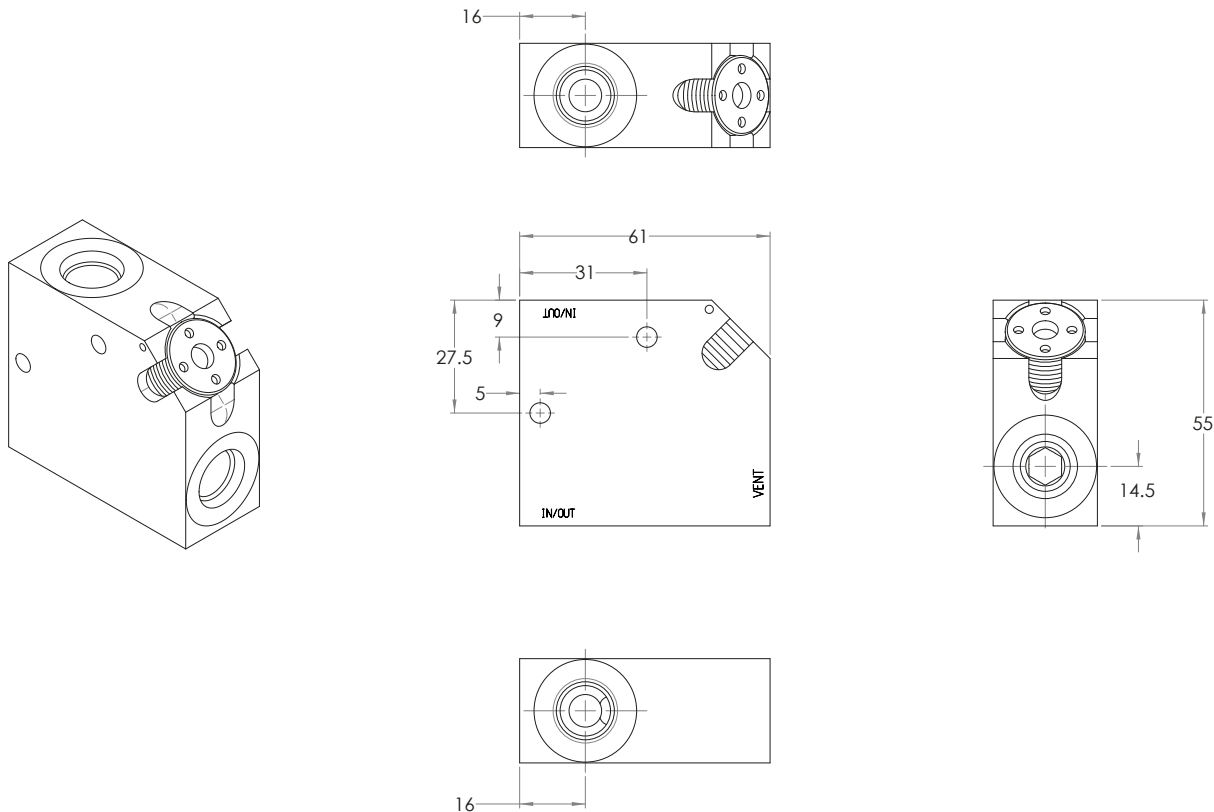
- Combined T-PRD and P-PRD (Burst disk) pipe away port.
- High flow, fast acting design.
- Glass bulb or cadmium free eutectic technology.
- Nominal working pressure 35 MPa.
- Working temperature -40° to +85° C.
- Wide range of port options 3/4-16, 9/16-18, 7/16-20 or M18x1.5 to M16x1.5.
- Light weight machined aluminum body.



# SPECIFICATIONS

	PRD-4L	H-PRD-4L
<b>GENERAL INFORMATION</b>		
APPLICATION	Safety Device for remote installation between sections of high pressure line	
DESIGN	Thermally activated valve with burst disk option	
BODY MATERIAL	Machined Aluminum	
FUEL TYPE	Compressed Natural Gas (CNG)	Compressed Hydrogen Gas (CHG)
NOMINAL WORKING PRESSURE	24,8 MPa (3,600 psig)	35 MPa (5,075 psig)
<b>PERFORMANCE</b>		
FLOW RATE WHEN ACTIVATED (CV)	1.0	
WORKING TEMPERATURE	-40°C to 85°C (-40°F to 185°F)	
T-PRD	Design	Eutectic (Cadmium Free)      Glass Bulb
	Activation Temp	109 +/--3°C (228°F)      110 +/--10°C (230°F)
	Venting performance	Minimum area equivalent to 7 mm orifice
BURST DISK (OPTION)	Available*	
EXCESS FLOW DEVICE (EFD)	N/A	
LEAKAGE	<10 <sup>-4</sup> mBar l/s Helium, external (<10 <sup>-4</sup> mBar l/s Helium, internal)	
<b>CONNECTIONS</b>		
INLET/OUTLET THREAD TYPE	Wide range of port options 3/4-16, 9/16-18, 7/16-20 or M18x1.5 to M16x1.5	
OUTLET THREAD TYPE	Wide range of port options 3/4-16, 9/16-18, 7/16-20 or M18x1.5 to M16x1.5	
<b>APPROVALS</b>		
CERTIFICATIONS	PRD 1-13, ECE R110, ISO 15500	

\*All models



ISO/TS 16949:2009 registered<sup>1</sup>  
 ISO 9001:2008 registered<sup>2</sup>  
 ISO 14001:2004 registered<sup>3</sup>

©IMPCO Technologies Inc. All rights reserved.  
 All information is subject to change without notice.  
 Images for illustration purposes only, may not reflect configuration provided.  
 1. IMPCO Technologies Inc. - Canada  
 2. IMPCO Technologies Inc. - Santa Ana California - IMPCO Technologies Inc. - Canada - IMPCO Technologies BV Europe  
 3. IMPCO Technologies Inc. - Santa Ana California - IMPCO Technologies BV Europe  
 300018\_REV D