

TV-400 Series

1-1/8" ULTRALOW PROFILE INTERNAL SOLENOID TANK VALVE

Key Features

IMPCO's (patented ultralow profile) GFI in-tank solenoid technology not only provides impact protection for high pressure gas applications, it protects against environmental conditions such as thermal shock, water intrusion and corrosion. Additionally, all connections are radial to the tank neck to minimize space requirements and maximize onboard fuel storage.

- Compatible with cylinder types (1, 2, 3 and 4) from steel to full composite versions.
- The solenoid lock-off is integrated inside the cylinder, providing impact protection.
- Light weight forged aluminium body allows an industry leading 22mm profile (31mm for the vented model). The low profile allows more room to optimize tank packages.
- High flow temperature activated pressure relief device (T-PRD) installed recessed into the valve body and available in Cadmium free eutectic and glass bulb technology.
- Optional burst disk mounted parallel with T-PRD to allow for only one pipe way.
- 12V and 24V solenoid coils available with saturation or peak and hold control.
- Live port with pipe away PRD option.



TV-400 non-vented



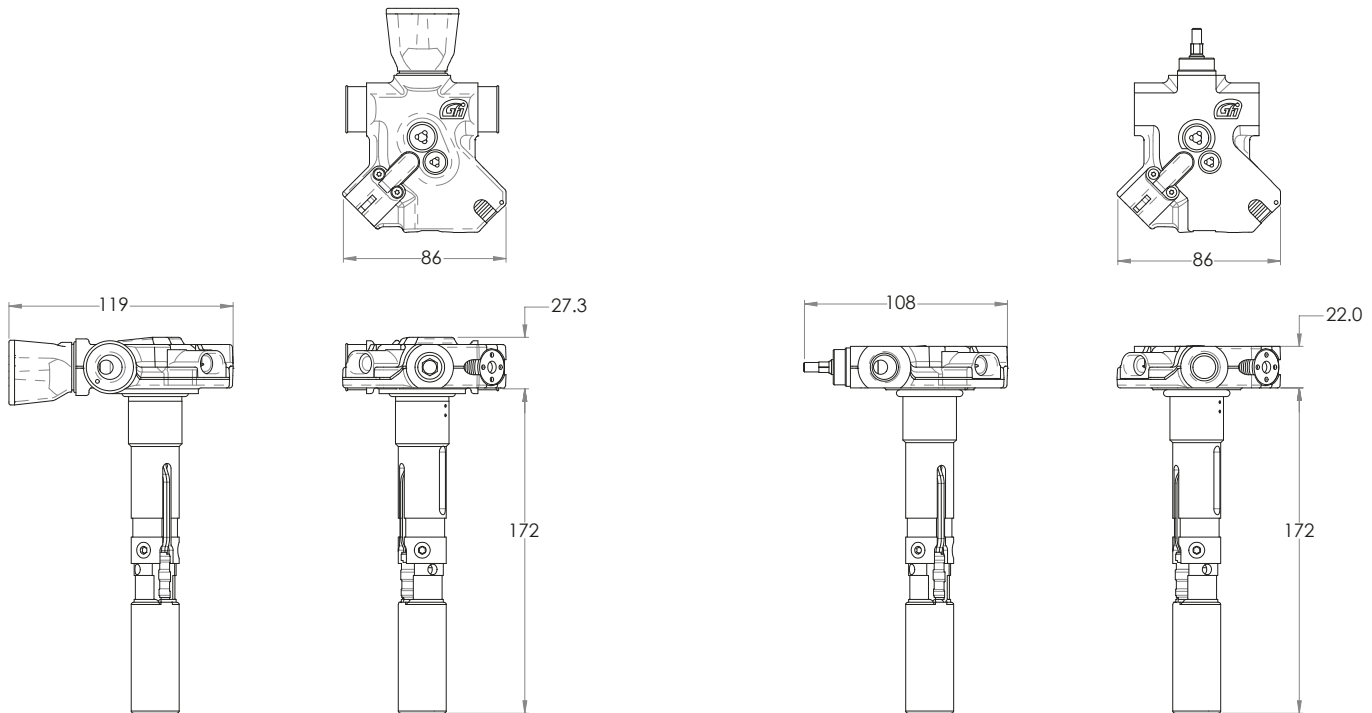
TV-400 vented



SPECIFICATIONS

TV-400 Series			
GENERAL INFORMATION			
APPLICATION	CNG Tank Valve for Type 1 / Type 2 / Type 3 / Type 4 cylinders		
DESIGN	Automatic, Internal Solenoid		
BODY MATERIAL	Forged Aluminum		
FUEL TYPE	Compressed Natural Gas (Validated with G20 and C25 CNG)		
PERFORMANCE			
FLOW RATE (CV)	0.9		
MAX WORKING PRESSURE	31 MPa (4,500 psig)		
WORKING TEMPERATURE	-40°C to 85°C (-40°F to 185°F)		
T-PRD	Design	Eutectic (Cadmium Free)	Glass Bulb
	Activation Temp	109 +/- 3°C (228°F)	110 +/- 10°C (230°F)
	Venting performance	Minimum area equivalent to 7 mm orifice	
BURST DISK (OPTION)	Available*		
EXCESS FLOW DEVICE (EFD)	ΔP 0.65 MPa		
SOLENOID	Voltage	12 V	24 V
	Power Consumption	7.5 W	
	Control	Saturated or PWM	
LEAKAGE	<10 ⁻⁴ mBar l/s Helium, external (<10 ⁻³ mBar l/s Helium, internal)		
CONNECTIONS			
CYLINDER CONNECTION	1 - 1/8" UNF		
OUTLET THREAD TYPE	9/16" - 18 UNF, M12x1, M14x1		
VENT THREAD TYPE	9/16" - 18 UNF		
ELECTRICAL CONNECTOR	AMP Super Seal (2 Pin)		
LIVE PORT - REMOTE PRD/DEFUELING	Available**		
APPROVALS			
NGV 3.1-14, PRD 1-13, ECE R110, ISO 15500			

*All models
**Select models



ISO/TS 16949:2009 registered¹
ISO 9001:2008 registered²
ISO 14001:2004 registered³

©IMPCO Technologies Inc. All rights reserved.
All information is subject to change without notice.
Images for illustration purposes only, may not reflect configuration provided.

300011_REV C

1. IMPCO Technologies Inc. Canada
2. IMPCO Technologies Inc. Santa Ana California - IMPCO Technologies Inc. Canada - IMPCO Technologies BV Europe
3. IMPCO Technologies Inc. Santa Ana California - IMPCO Technologies Inc. Canada - IMPCO Technologies BV Europe